

www.acteongroup.com

For more information, please contact:
SOPRO S.A. | A company of ACTEON Group
ZAC Athélia IV | Avenue des Genévriers | 13705 LA CIOTAT cedex | FRANCE
Tél + 33 (0) 442 98 01 01 | Fax + 33 (0) 442 71 76 90
E-mail: info@sopro.acteongroup.com | www.acteongroup.com



Non contractual document - Ref. 707097 E - 04/2018 - Copyright © 2018 ACTEON. All rights reserved. No information or any part of this document may be reproduced or transmitted in any form without the prior permission of ACTEON.

RCS Paris B 337 934 483 - 013 289a

ACTEON

INNOVATIVE IMAGING

Digital medical imaging has significantly contributed to the improvement of diagnoses and the widespread use of less invasive procedures. Over the past 15 years, ACTEON® has committed to channeling its efforts into contributing to improve the accuracy of surgical procedures, and to reduce the radiation doses emitted. Through the development of ever more sophisticated yet intuitive 2.0 software packages, our R&D teams are able to innovate on a daily basis. In our permanent pursuit of excellence, we are proud today to present our latest innovations in this brochure.

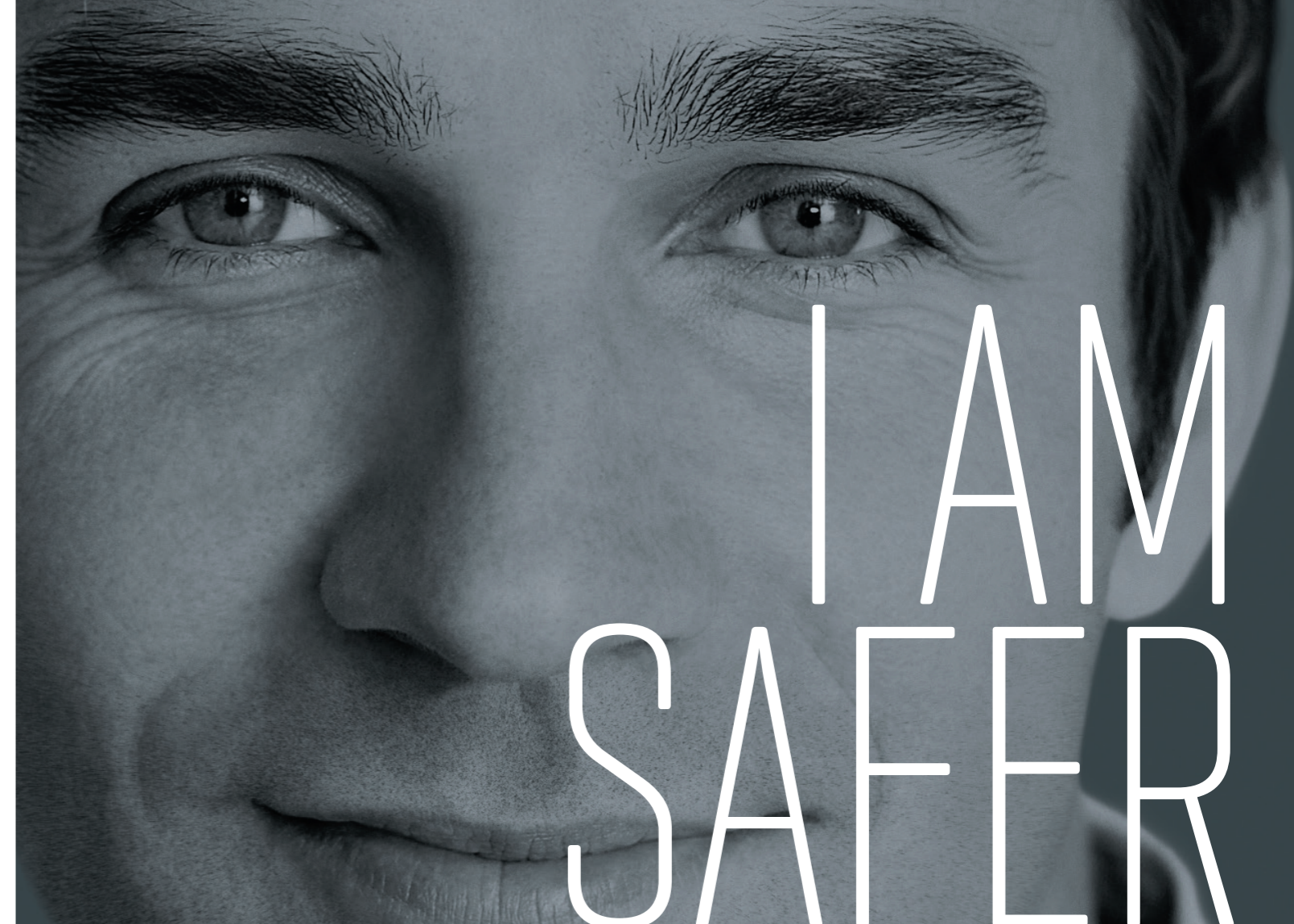
X MIND unity

TECHNICAL SPECIFICATIONS

- Classification Class 1 type B
- Supply voltage 100–240 V
- Maximum power absorption..... 850 VA
- Frequency 50/60 Hz
- Focal spot..... 0.4 mm
- Total filtration >1.5 mm Al @ 70 kV
- Leakage radiation < 0,25 mGy / h
- Cooling duty cycle for 1 s 32 s
- Technology High frequency DC
- Maximum anode current..... 7 mA
- X-ray tube voltage..... 60/65/70 kV
- Maximum exposure time 2 s
- Compatibility Film, phosphor plate, digital sensor
- Weight 23 kg
- Configuration Wall mounting top and bottom, mobile
- Timer Microprocessor controlled

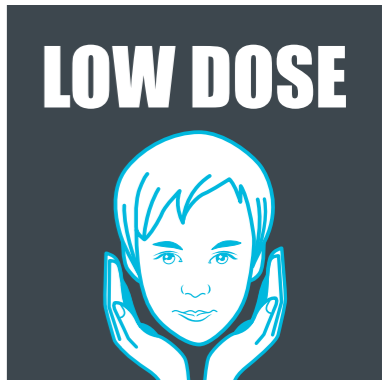
ACCESSORIES

- Circular cone Ø 60 mm 20 cm (8") or 30 cm (12")
- Rectangular cone 45 x 36 mm 20 cm (8") or 30 cm (12")
- Arm extension..... 0.40 m, 0.80 m, 1.10 m
- SOPIX inside/SOPIX² inside..... Size 1, size 2
- Remote exposure switch



X MIND
unity

**Reliable X-ray
technology
that reduces
radiation exposure**



A UNIQUE COMBINATION FOR EFFECTIVE PROTECTION

X MIND *unity* + SOPIX *inside*

MORE INVENTIVE

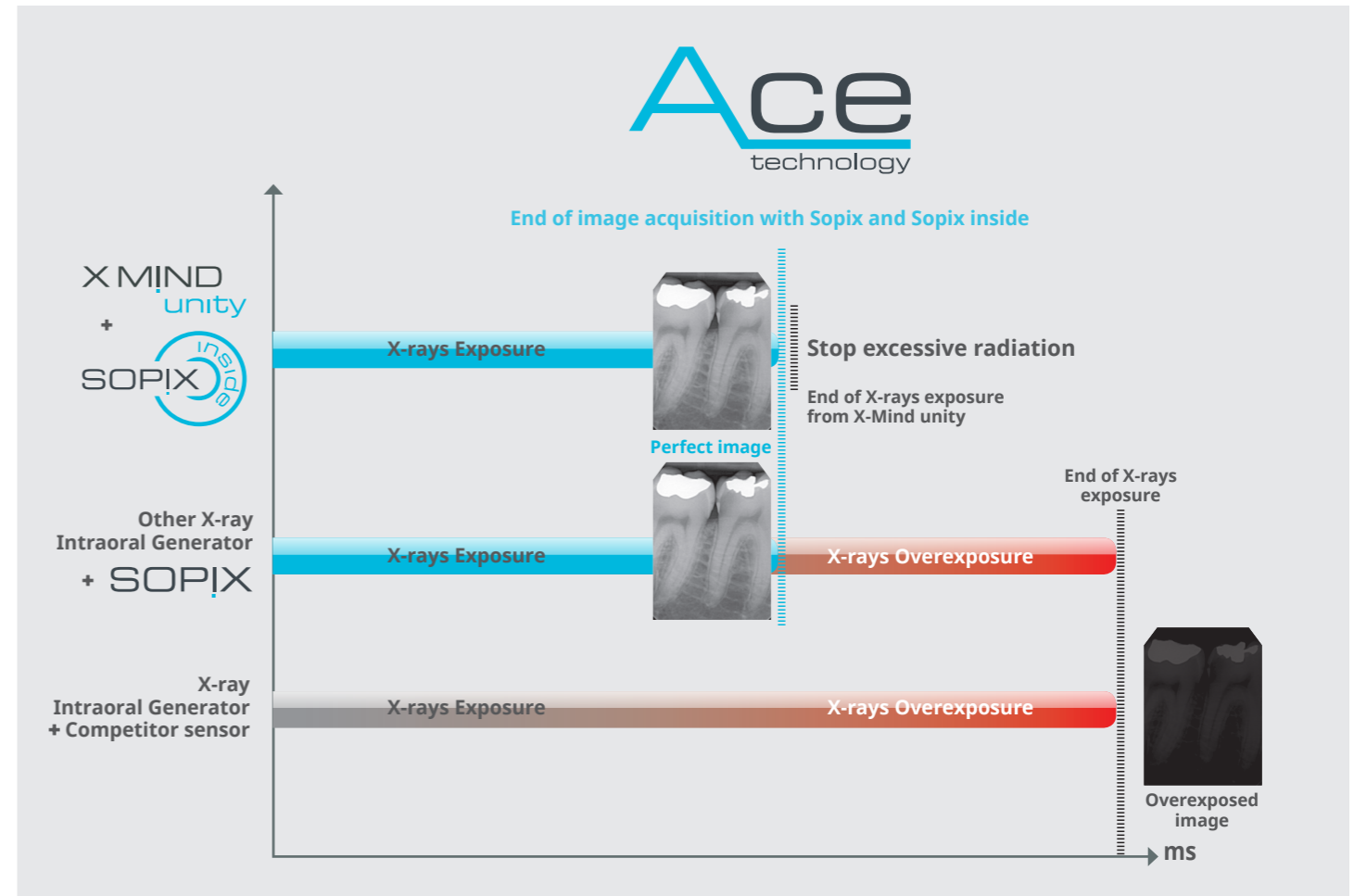
Combined with the X-Mind® unity intraoral X-ray generator, SOPIX® inside with ACE technology **limits the emission of X-rays** during the acquisition to the necessary amount for the patient's morphology. It uses the **minimum dose** required to provide a high-quality image.



It's frustrating when a portable sensor goes missing or gets damaged. Having the sensor integrated with the tube head makes a lot of sense. My team can use the X-Mind® unity without delay; saving time means saving money.

LESS INVASIVE

Using X-Mind® unity intraoral X-ray generator with SOPIX® inside, the patients **receive the minimum dose required for their dental morphology**. Patients and staff are protected from unnecessary radiation.



A SHARP AND CONTRASTED IMAGE

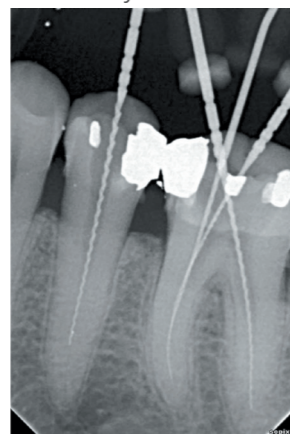
CLINICAL CASES USING SOPIX² INSIDE AND X-MIND UNITY

ENDODONTIC TREATMENT

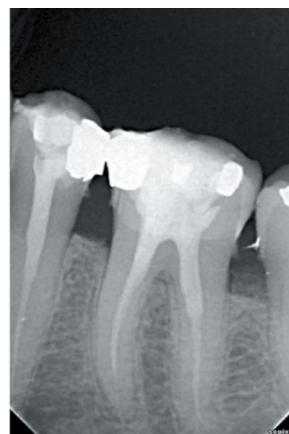
1. Initial situation
Sealing deteriorated



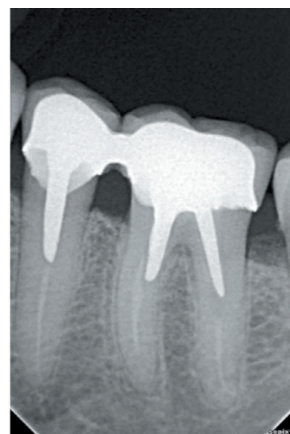
2. Root canal treatment
Endodontic treatment necessary on 35 and 36



3. End of treatment
Sealing on 35

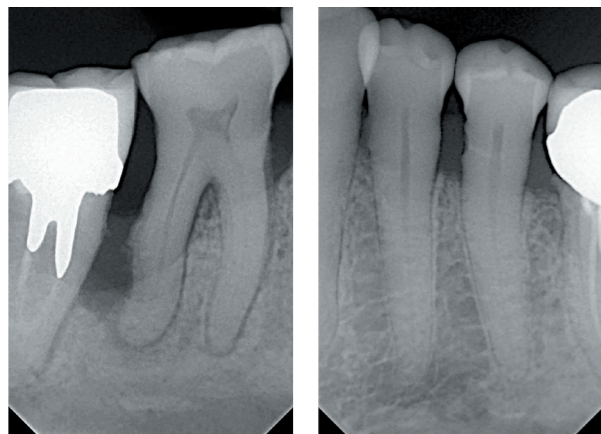


4. After 5 months
Prosthesis placement

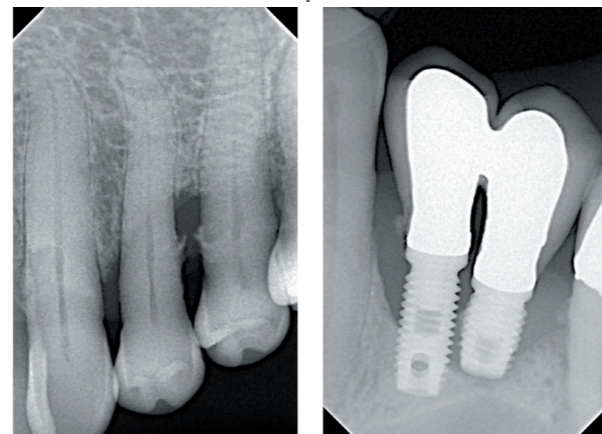


SUB GINGIVAL PLAQUE AND BONE LOSS

Periodontitis



Peri implantitis



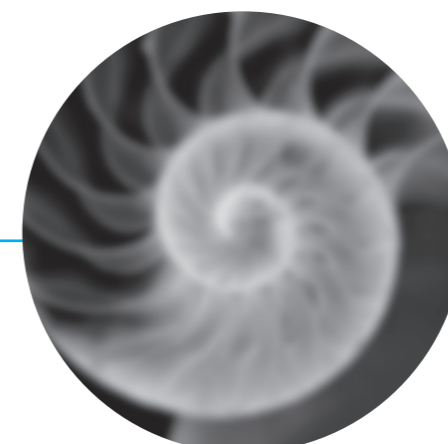
PARAMETERS
TO MEET
YOUR
REQUIREMENTS



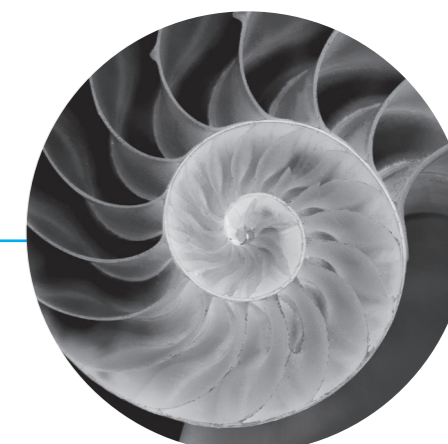
The X-Mind[®] unity has a 0.4 mm focal spot. It has several configurable radiological settings:

- the anodic voltage (60, 65 and 70 kV)
- the anodic current (from 4 to 7 mA)

These parameters ensure a sharp and contrasted image with defined contours.



The generator focal spot Y:
0.7 mm



The generator focal spot
of X-Mind[®] unity: 0.4 mm

EASY TO INSTALL

DESIGNED TO YOUR IMAGE

Because you pay more and more attention to the look and effectiveness of your practice, ACTEON® has developed X-Mind® unity with:

- uncompromising design
- clean lines
- superior materials
- unique technological advantages



X-Mind® unity is pre-wired to allow for the integration of the SOPIX® digital sensor. Therefore, you can simply connect it to your X-Mind® unity at the time of installation or anytime in the future.



SOPIX® inside enables integration without any visible cables. SOPIX® inside connects effortlessly to the X-Mind® unity without technical assistance within a minute. **Plug and Play!**

ERGONOMIC AND SIMPLISTIC

A CLEAR AND LARGE LCD SCREEN
to easily see the main parameters
at a distance

THE "MEMORY" FUNCTION
allows modifying for the
pre-programmed exposure times
to adapt to the specifications
of your sensor or film

THE EXPOSURE PARAMETERS
are adjusted according to the type
of tooth (incisor, premolar, molar)

SELECTION OF THE EXAM TYPE
occlusal or inter proximal



Displays THE PARAMETERS kV, mA, type
of film and ACE selection (SOPIX® inside)

THE DOSE IS DISPLAYED when simultaneously
pressing the buttons "- and +"

Selection of the PATIENT MORPHOLOGY
adult, child



Acquiring an X-ray is done with the integrated
firing switch.

A remote firing switch is available as an option.

AN OUTSTANDING WORKING

ENVIRONMENT



FLUIDITY AND STABILITY

You can singlehandedly position and stabilize X-Mind® unity. Movement is fluid and is done without any effort or stress. The anti-vibration and anti-movement mechanism ensures drift free positioning during an exposure.



X MIND
unity



SOPIX
inside

WORK COMFORT

Due to its ergonomically designed holder, there is no danger of the sensor falling or breaking. The sensor always remains within hands reach for optimal working comfort. SOPIX® inside is internally wired eliminating the need for external wiring: ease of use and aesthetics of your practice.

MULTIPLE CONFIGURATIONS TO ADAPT PERFECTLY

FLEXIBLE INSTALLATION ALTERNATIVES FOR YOUR PRACTICE

The X-Mind® unity can accommodate any operatory configuration. 3 arm lengths are available: 0.40 m, 0.80 m, 1.10 m and can be:

- top wall mounted
 - bottom wall mounted
- A mobile version is also available.



Top mounted

Bottom mounted

Mobile version

CHOOSE FROM A VARIETY OF CONES TO BETTER FIT TO YOUR CLINICAL NEEDS



Short round cone



Long round cone



Short square cone



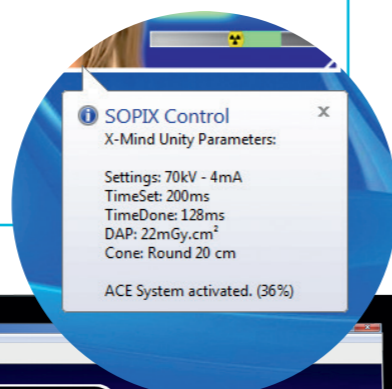
Long square cone

QUIET MIND FOR ALL



EXCLUSIVE TRACEABILITY

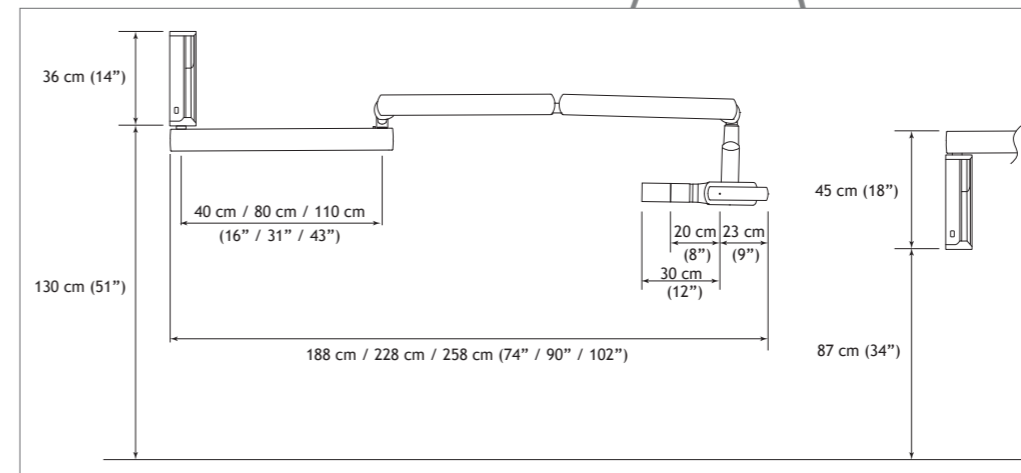
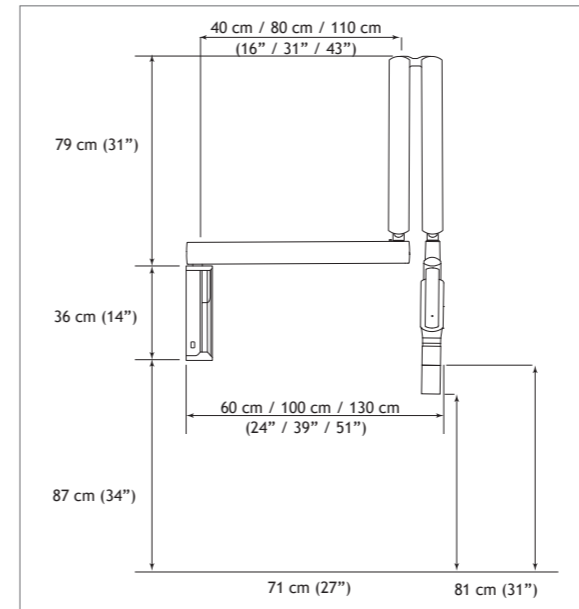
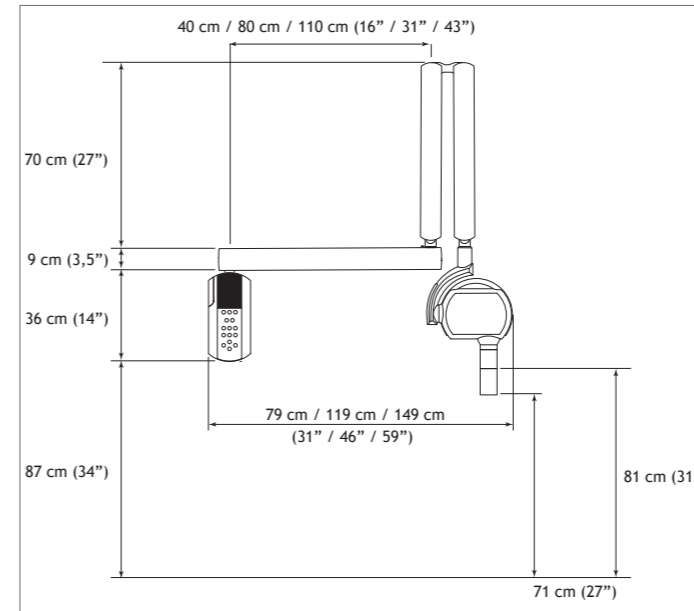
The dose received by the patient after each exposure appears on the timer's screen.



When using SOPIX® inside with X-Mind® unity, SOPRO® Imaging systematically records the **X-Mind® unity settings** as well as the **effective dose received by the patient** for each acquisition.

This ensures **permanent traceability** for every patient.





The medical devices for dental care SOPIX Series are of class IIa and manufactured by SOPRO, notified body LNE/GMED, X-Mind unity is of class IIb and manufactured by DE GOTZEN, notified body DNV GL NEMKO PRESAFE - CE 2460. These medical devices are not refunded by health insurance organizations. Read carefully the instructions on the labelling before use. Manufactured in compliance with currently applicable regulations and standards (EC Directive 93/42/EEC and sub-segment amendment). IEC 60601-2-65 imposes for each X-ray generator furnished with a digital sensor to use a square cone.

SOPIX®, and SOPRO® are registered trademarks of SOPRO. X-Mind® is registered trademarks of DE GÖTZEN.
 “All other trademarks cited herein are the property of their respective owners”